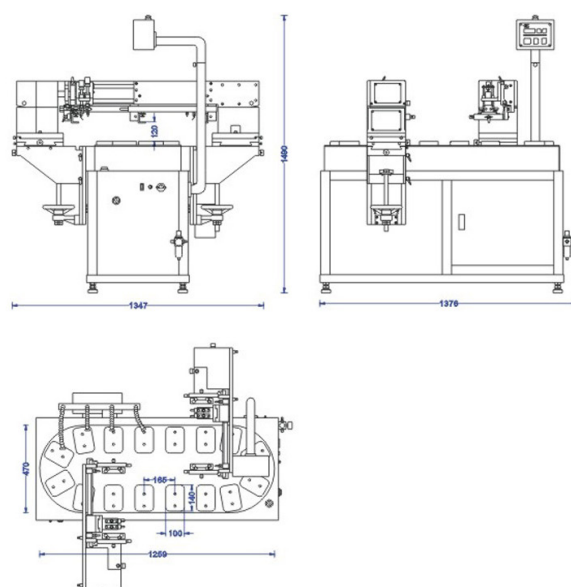


## S2F220

2-färgs plantrycksmaskin med 16 stationer.



1. This screen printer is able to make a printing on the small flat surface, which can be widely used for industries of plastic goods, stationary, toys, electrical appliances, ceramic, goods, glass, circuit board, leathers, papers, wooden goods and cosmetics, etc.
2. This screen printer is equipped with advanced microcomputer controls. Once the functional program is selected, it will be stored in the memory forever. It is not necessary to re-preset the functional programs in the event of power failure, and no back-up batteries are needed.
3. Various screen-printing functions can be selected directly by pressing the sensitive feather-touch buttons on the console panel. It is very simple to operate.
4. The up-to-date and durable pneumatic components are manufactured by famous West German and Japanese factories. They all operate smoothly and powerfully.
5. The aluminium alloy machine case is light and durable, its structure is precise and causes higher efficiency.

För ytterligare information kontakta KE LEVIN

Teknisk specifikation – S2F220	
Max tryckyta	220 × 150 mm
Max objekthöjd	120 mm
Max ramstorlek	390 × 220 × 25 mm
Tryckkapacitet	900 cykler / tim
Lufttryck	6 bar (0.6MPa)
Effekt	110V / 220V 60/50Hz 60W
Storlek	1347 × 1376 × 1490 mm

**KONTAKTA OSS - RING 0155 / 577 00**